

WALL OVEN

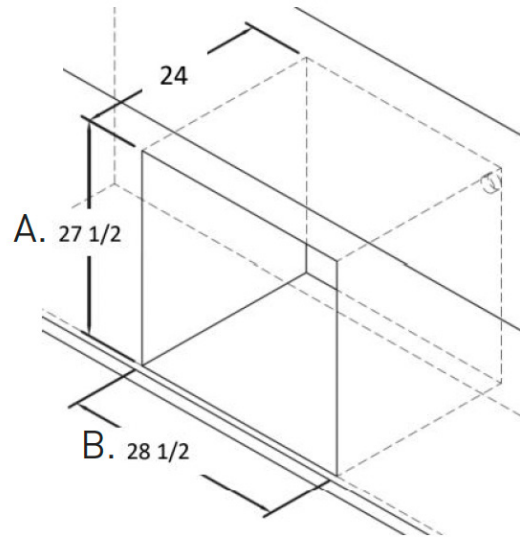
VOE100-SS



DIMENSIONS

Product Dimensions 30"W x 24.85"D x 29.45"H
 Packing Size 33.1"W x 30.2"D x 37.5"H
 Product Weight 168lbs

BAKE	•
BROIL	•
CONVECTION BAKE	•
CONVECTION ROAST	•
WARM	•
SELF CLEAN	•

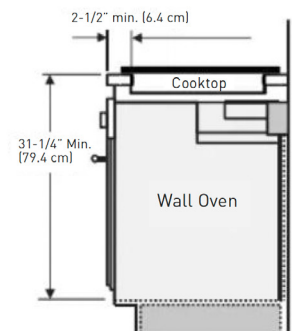


STANDARD INSTALLATION

Dimension	Description	30" Single
A	Cut Out Width	28 1/2" Min.
		28 5/8" Max.
B	Cut Out Height	27 1/2" Min.
		28 1/8" Max.

SIDE-BY-SIDE INSTALLATION

Dimension	Description	30" single
A	Cut out width	28 1/2" Min.
		28 5/8" Max.
		27 1/2" Min.
B	Cut out height	28 1/8" Max.
		27 1/2" Min.
C	Clearance from cutout-top	1"
D	Clearance from cutout-bottom	1"
E	Clearance from cutout-side edges	1"
F	Junction box location	9 1/2" from right side.



Side View