

VEZENI

User Manual and Installation Guide VEZENI UNDER CABINET VENT HOOD



CONTEMPORARY MODELS:

VHW3004

VHW3604

VHW4804

WWW.VEZENI.COM



WELCOME TO THE
VEZENI
FAMILY

This manual provides detailed instructions on how to install and set up your new vent hood, and also offers insights into the various unique features of our product. Please keep this manual for future reference, as it contains answers to any questions you may have while starting your cooking journey.

Thank you,
VEZENI



Manufacturer's Limited Warranty

This product has been manufactured by Vezeni.

Vezeni provides the following limited warranty:

- 1.** This warranty only applies to products purchased and located in the United States. Products purchased or located outside of this area are not covered.
- 2.** The warranty does not cover damage resulting from abuse, accidents, natural disasters, loss of electrical power, alterations, outdoor use, improper installation, improper operation, or repairs performed by unauthorized service agencies or representatives.



Warranties and Duration:

Full Warranty for Parts & Labor: 2 years

Implied warranties are terminated upon expiration of the limited warranty. Some states do not allow limitations on how long an implied warranty lasts, so the above limitation may not apply to your implied warranty.

Vezeni will cover:

1. All repair labor and the cost of replacement parts found to be defective due to materials and workmanship. Service must be provided by an authorized Vezeni service agency during normal working hours. Please visit our website at www.vezeni.com or call our service number 888-283-9364 / 888-2-VEZENI or email concierge@vezeni.com to find the nearest service agency.

Vezeni will not cover:

1. Service by an unauthorized agency or repairs performed using unauthorized parts.
2. Service visits for appliance usage instructions, installation corrections, or resetting of circuit breakers or home fuses. The customer is responsible for providing electrical wiring and other necessary facilities.
3. Damage caused by accidents, alterations, misuse, abuse, improper installation or installation not in accordance with local electrical or plumbing codes, or improper storage of the appliance.
4. Repairs for uses other than normal home use.
5. Travel or trip fees and associated charges incurred when the product is installed in a location with limited or restricted access (e.g., airplane flights, ferry charges, isolated geographic regions).
6. Service to provide instructions on using or correcting house wiring or replacing/repairing house fuses, or correcting the installation of the range.
7. Repairs when the range is used for anything other than normal singlefamily household use or contrary to the published user/operator instructions and installation instructions.



Warranties and Duration:

- 8.** Cosmetic damage, including chips, dents, scratches, or other damage to the finish of your range, are not covered unless such damage results from defects in materials or workmanship and is reported to Vezeni within 30 days from the date of purchase.
- 9.** Costs associated with the removal of your range from your home for repairs are not covered. This range is designed to be repaired in the home, and only in-home service is covered by this warranty.
- 10.** Damage resulting from misuse, alteration, accidents, abuse, fire, flood, acts of God, improper installation (not in accordance with electrical or plumbing codes), or use of consumables or cleaning products not approved by Vezeni is not covered.
- 11.** Service to repair or replace consumable parts, such as filters or bulbs, is not included in the warranty coverage.
- 12.** The removal and reinstallation of your range are not covered if it is installed in an inaccessible location or not installed in accordance with the published installation instructions.
- 13.** This warranty is void if the factory-applied serial number has been altered or removed from your range.
- 14.** Repairs to parts or systems resulting from unauthorized modifications made to the appliance are not covered.
- 15.** Expenses for travel and transportation for product service are not covered if your range is located in a remote area where service by an authorized Vezeni servicer is not available. This warranty applies to appliances purchased and used by consumers for personal, family, or household purposes only. It does not cover appliances used in commercial applications. If the appliance is sold by the original purchaser during the warranty period, the warranty extends to the new owner until the expiration date of the original purchaser's warranty period.



Warranty and Product Registration

VEZENI is not responsible for any incidental or consequential damages. Under no circumstances will VEZENI's liability exceed the cost that you paid for the product. Some provinces/states may not allow the exclusion or limitation of incidental or consequential damages, so the above limitation or exclusion may not apply to you.

This warranty provides you with specific legal rights, and you may also have other rights that vary from state to state.

Please have your complete model number and serial number ready when you contact our Customer Service for technical information, parts sales, or to request service for your appliance in the United States. The model and serial number can be found on the product data plate.

Please provide the requested information in the spaces provided below:

Model No. _____

Serial No. _____

Date Purchased _____

Date Installed _____

Purchased From _____

Address _____

Phone _____

NOTE: You must provide proof of purchase or installation date for in-warranty service.

You can contact our Customer Service team.

Phone: 888-283-9364 / 888-2-VEZENI

Online: www.vezeni.com

Email : conciierge@vezeni.com



Contents

1	Important Safety Notice	14	Installation (Filters)
3	Electrical Requirements	15	Installation (Grease Tunnel & Filters)
4	Venting Requirements	16	Venting Methods
5	Calculating Vent System Length	17	Wiring Diagram
6	Required Tools	18	Range Hood Operations
7	Parts Supplied	19	Troubleshooting
8	Dimensions	20	Use and Care Information
9	Preparation	21	Maintenance
10	Rough-In	22	Bulb Replacement
12	Installation	23	Warranty and Service



IMPORTANT SAFETY NOTICE

Read all instructions before installing and operating this appliance



The installation in this manual is intended for qualified installers, service technicians or persons with similar qualified background. Installation and electrical wiring must be done by qualified professionals and in accordance with all applicable codes and standards, including fire-rated construction.

DO NOT attempt to install this appliance yourself. Injury could result from installing the unit due to lack of appropriate electrical and technical background.

Range hood may have very sharp edges; please wear protective gloves if it is necessary to remove any parts for installing, cleaning or servicing.

Activating any switch ON before completing installation may cause ignition or an explosion.

Due to the size and weight of this range hood, two-person installation is recommended.

To reduce the risk of fire, electric shock, or injury to persons:

- For general ventilating use only. DO NOT use to exhaust hazardous or explosive materials and vapors. The combustion airflow needed for safe operation of fuel-burning equipment may be affected by this unit's operation. Follow the heating equipment manufacturer's guideline and safety standards such as those published by the National Fire Protection Association (NFPA), and the American Society of Heating, Refrigeration and Air Conditioning Engineers (ASHRAE), and the local code authorities.
- Before servicing or cleaning unit, switch power OFF at service panel and lock service panel to prevent power from being switched ON accidentally.
- Clean grease-laden surfaces frequently. To reduce the risk of fire and to disperse air properly, make sure to vent air outside. DO NOT vent exhaust into spaces between walls, crawl spaces, ceilings, attics and/ or garages.
- Ducted fans **MUST** always be vented to the outdoors.
- Use only metal ductwork and this unit **MUST** be grounded.
- Sufficient air is needed for proper combustion and exhausting of gases through the duct to prevent back drafting.
- When cutting or drilling into wall or ceiling, be careful not to damage electrical wiring or other hidden utilities.
- All electrical wiring must be properly installed, insulated and grounded.
- Old duct work should be cleaned or replaced if necessary to avoid the possibility of a grease fire.
- Check all joints on duct work to insure proper connection and all joints should be properly taped.
- Use this unit only in the manner intended by the manufacturer. If you have questions, contact the vendor.

To reduce the risk of a stove top grease fire:

- Keep all fans, spacers, filters, grease tunnels, oil containers and grease-laden surfaces clean. Grease should not be allowed to accumulate on fan, baffle, spaces, filter, grease tunnel and oil container.
- Always turn range hood ON when cooking at high heat or when cooking foods that produce flames.
- Use high settings on cooking range only when necessary.
- Never leave surface units unattended at high settings. Boil overs cause smoking and greasy spillovers that may ignite. Heat oils slowly on low or medium settings.

IMPORTANT SAFETY NOTICE

Read all instructions before installing and operating this appliance

- Clean ventilating fan frequently.
- Always use appropriate cookware and utensils size.
- Always use cookware appropriate for the size of the surface element.

To reduce the risk of injury to persons in the event of a stove top grease fire:

- Smother flames with a close-fitting lid, cookie sheet, or metal tray, then turn OFF the burner. Be careful to PREVENT BURNS. Never pick up a pan that has flames—you may be burned. Keep flammable and/ or combustible material away from flames. If the flames DO NOT go out immediately, EVACUATE and CALL the FIRE DEPARTMENT or dial your local emergency service immediately.
- Use an extinguisher DO NOT use wet dishcloths or towels - it will result in a violent steam explosion.
- You know you have a Class A, B, C extinguisher, and you already know how to operate it.
- The fire is small and contained in the area where it has started.
- The fire department is on the way.
- You can fight the fire while having access to a safe exit.

To reduce the risk of injury to persons in the event of a gas leaks:

- Extinguish any open flame.
- DO NOT turn on the range hood fan or any type of ventilator.
- Open all windows to disperse the gas. If you still smell gas, call the gas company and fire department or dial your local emergency service immediately.
- Your safety and the safety of others is very important. We have provided many important safety messages in this manual and on your appliance. Always read and obey all safety messages. All safety messages will tell you what the potential hazard is, tell you how to reduce the chance of injury and tell you what can happen if the instructions are not followed.



WARNING



- This is the safety alert symbol. This symbol alerts you to potential hazards that can hurt you and others. All safety messages will follow the safety alert symbol and the word "WARNING".
- **The manufacturer and/or distributor/reseller declines all responsibility in the event of failure to observe the instructions given here for installation, maintenance, and suitable use of the product.**
- **The manufacturer and/or distributor/reseller further declines all responsibility for injury due to negligence and the warranty of the unit automatically expires due to improper maintenance.**
- **The manufacturer and/or distributor/reseller will not be held responsible for any damages to personal property or real estate or any bodily injuries whether caused directly or indirectly by the range hood.**

ELECTRICAL REQUIREMENTS

IMPORTANT: Observe all governing codes and ordinances.

It is the customer's responsibility:

- To contact a qualified electrician
- To assure that the electrical installation is adequate and in conformance with National Electrical Code and all local codes and ordinances.

If codes permit and a separate ground wire is used, it is recommended that a qualified electrician determine that the ground path is adequate.

A 110/120-Volt, 60 Hz, AC-only, fused electrical supply is required on a separate 15-amp circuit.

DO NOT ground to a gas pipe.

Check with a qualified electrician if you are not sure that the range hood is properly grounded.

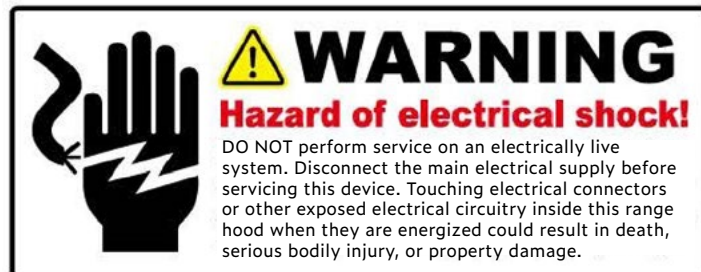
DO NOT have a fuse in the neutral or ground circuit.

IMPORTANT: Save this Installation Guide for electrical inspector's use.

The range hood must be connected with copper wire/plug only.

The range hood should be connected directly to the fused disconnect (or circuit breaker) box through flexible armored or non-metallic sheathed copper cable. A U.L. - or C.S.A. - listed strain relief must be provided at each end of the power supply cable.

Wire sizes (copper wire only) and connections must conform with the rating of the appliance as specified on the model/serial rating label. Wire sizes must conform to the requirements of the National Electrical Code ANSI/NFPA 70— latest edition*, or CSA Standards C22.



VENTING REQUIREMENTS

- Vent system must terminate to the outside (roof or side wall).
- DO NOT terminate the vent system in an attic or other enclosed area.
- DO NOT use 4" (10.2 cm) laundry-type wall caps.
- Use metal/aluminum vent only. Rigid metal/aluminum vent is recommended.
- DO NOT use plastic vent.
- Always keep the duct clean to ensure proper airflow.

Calculate the following figures before installation:

1. *Distance from the floor to the ceiling.*
2. *Distance between the floor to the countertop/stove (recommend* 24" to 30").*
3. *Distance between the countertop/stove to the range hood.*
4. *Height of hood and duct cover.*

For the most efficient & quiet operation:

- A distance of 24" to 30" is recommended between stove top and bottom of range hood (30" min for 9' ceilings)
- It is recommended that the range hood be vented vertically through the roof through 6" or bigger round metal/aluminum vent work.
- The size of the vent should be uniform.
- Use no more than three 90° elbows.
- Make sure there is a minimum of 24" (61 cm) of straight vent between the elbows if more than one elbow is used.
- DO NOT install two elbows together.
- The length of vent system and number of elbows should be kept to a minimum to provide efficient performance.
- The vent system must have a damper. If roof or wall cap has a damper, DO NOT use damper (if supplied) on top of the range hood.
- Use aluminum tape to seal all joints in the vent system.
- Use caulking to seal exterior wall or roof opening around the cap. USE 6" ROOF OR WALL VENT CAP MINIMUM.

IMPORTANT:

- A minimum of a 6" round duct (standard for this range hood) must be used to maintain maximum airflow efficiency.
- Always use rigid type metal/aluminum ducts if available to maximize airflow when connecting to provided duct.
- Please use Duct Run Calculation below to compute total available duct run when using elbows, transitions and caps.
- ALWAYS, when possible, reduce the number of transitions and turns in the duct run. If a long duct run is required, increase the duct size from 6" to 8". If a reducer is used, install a long reducer instead of a pancake reducer. Reducing the duct size will restrict airflow and decrease efficiency.
- If turns or transitions are required: Install as far away from opening and as far apart, between 2, as possible.
- Minimum mount height between stove top to hood bottom should be no less than 24-inch*.
- Maximum mount height between stove top to hood bottom should be no higher than 30-inch*.
- It is important to install the hood at the proper mounting height. Hoods mounted too low could result in heat damage and fire hazards; while hoods mounted too high will be hard to reach and will lose its performance and efficiency.
- If available, also refer to stove top manufacturer's height clearance requirements and recommended hood mounting height above range.

Minimum Duct Size:

- Round - 6" minimum

**Due to different ceiling height configurations, recommended height may not be applicable.*

CACLCULATING VENT SYSTEM LENGTH

To calculate the length of the duct system you require, subtract the equivalent feet for each "Vent piece" (Table Below) used in the system from the "Recommended maximum run" (Table Below). The longest duct run that is acceptable (if completely straight) is 50 feet. The number of vent pieces (elbow, transition, etc.) installed in your duct run will determine the maximum length the duct run can be. Please refer to the example below:

Duct Run Calculation	
Recommended Maximum Run	
6" round duct	50 ft.

Vent Piece Deduction	
Each 90° elbow used	9 ft.
Each 45° elbow used	5 ft.
Each 6" to 3/14" x 10" transition used	7 ft.
Slide wall cap with damper	7 ft.
Roof cap	7 ft.

Duct Run Calculation example:

One roof cap, two 90° elbows, and one 45° elbow used:
 7 ft. + 9 ft. + 9 ft. + 5 ft. = 30 ft. used

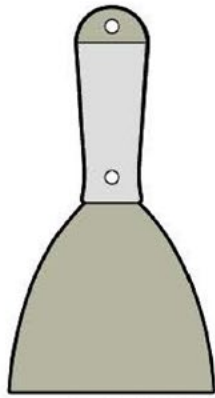
The above vent pieces used are equivalent to 30ft of a straight duct run. Subtract 30ft from the allowable 50ft. The remaining distance of 20ft is the longest that the straight ducting (in addition to the vent pieces) can be.

Specifications	
Body	Stainless Steel / Sheet Metal+ Toughened glass
Power Rating	110-120V/60Hz (USA & Canada standard)
General Input Power	160W+# of Light x Votage of Light
Motor Input Power	160W
Motor Revolution	800 RPM (±10%) to 1300 RPM (±10%)
Levels Of Speed Control	4 Levels
Maximum Airflow	900 CFM
Air Pressure	150 Pa (200 Pa Maximum)
Noise Level (dB / sone)	Approximately 23.5 / 0.4 to 60 / 7.0 (lowest to highest speed)
Control Type	Voice/Gesture/Touch
Illumination	LED 3W 120V
Venting Size	Top Vent, 6 inch Round

REQUIRED TOOLS



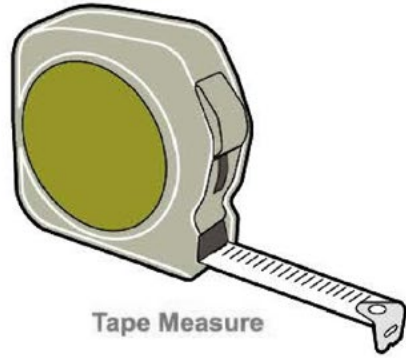
Phillips Screwdriver



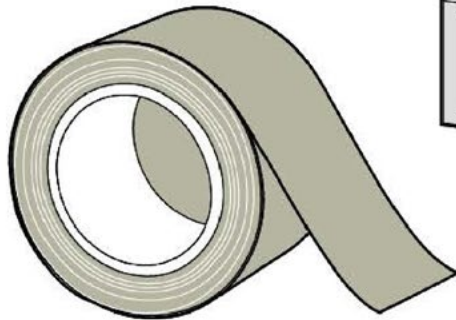
Putty Knife



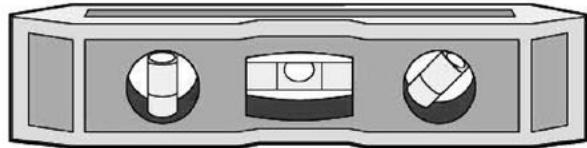
Marker or Pencil



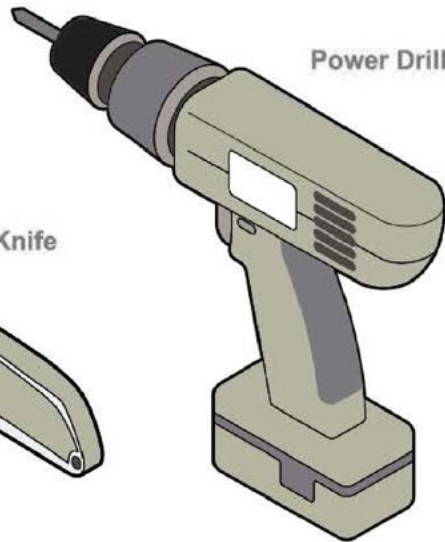
Tape Measure



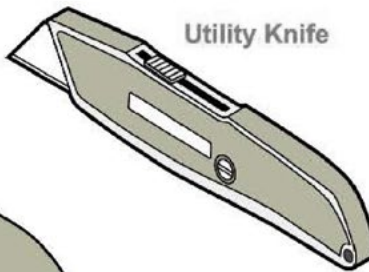
Aluminum Tape



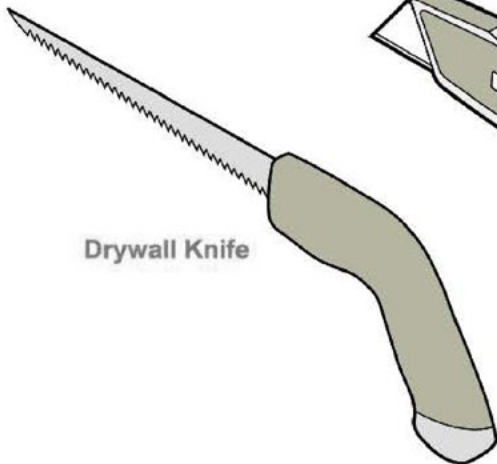
Level



Power Drill



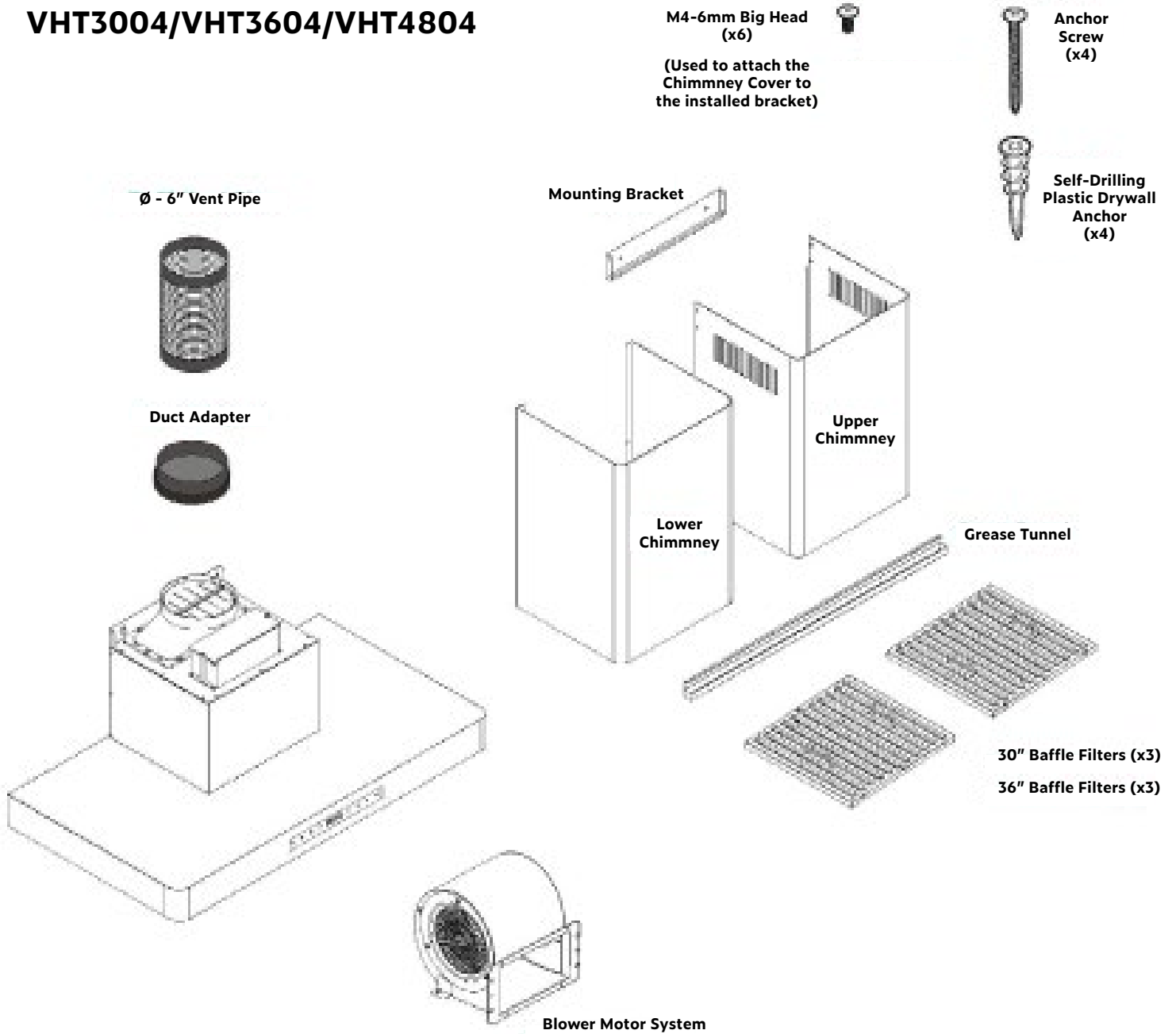
Utility Knife



Drywall Knife

PARTS SUPPLIED

VHT3004/VHT3604/VHT4804



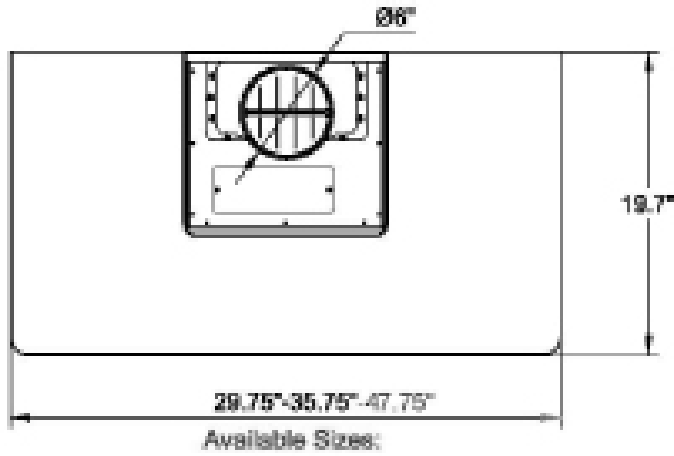
NOTE:

Where necessary, additional screws will be needed for installation and added support, but is not included. Please review contents before installation.

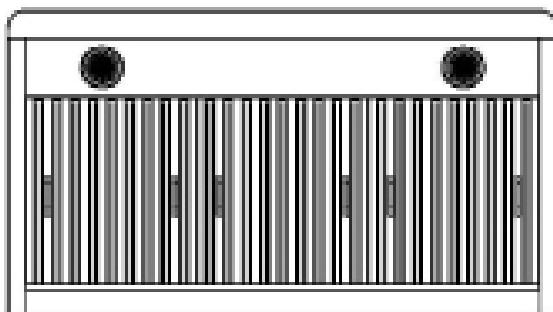
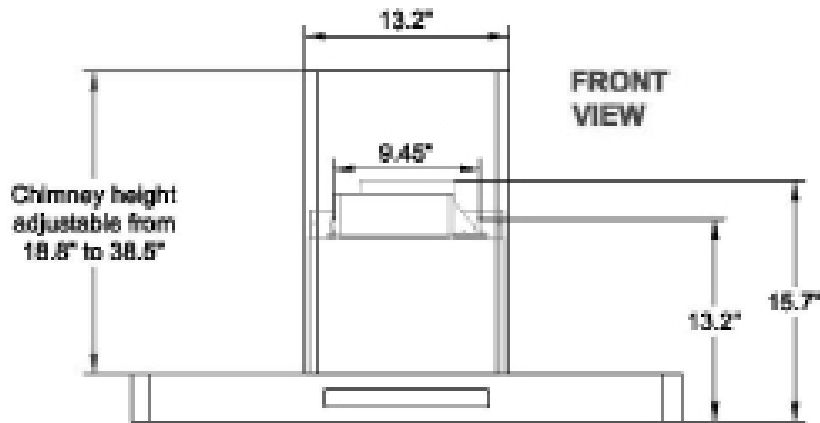


DIMENSIONS

VHT3004/VHT3604/VHT4804



TOP VIEW



PREPARATION



WARNING



SEVERE INJURY

Hood may have very sharp edges. Please wear protective gloves if it is necessary to remove any parts for installing, cleaning or servicing.



WARNING



EXCESSIVE WEIGHT

Requires two or more persons to move and install this range hood. Spinal or other bodily injuries could occur if it is not followed.

BEFORE INSTALLING THE RANGE HOOD, CHECK FOR PHYSICAL DAMAGES. THIS RANGE HOODS COMES WITH A WIRE AND PLUG. TEST THE HOOD BEFORE INSTALLATION.

If there is a grinding noise coming from the motor, DO NOT INSTALL IT, contact us as soon as possible.

Advanced Preparations:

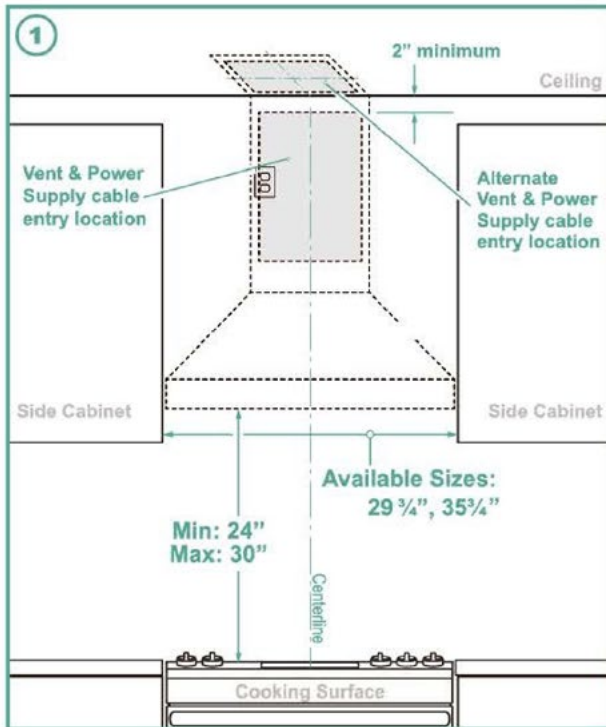
1. Read the entire installation guide and users manual thoroughly, understand instructions and warnings.
2. Be familiar with the controls of the range hood.
3. Place the range hood on a flat, stable surface. Connect the range hood to a designated standard outlet (please refer the product label for the suitable voltage of this unit) and verify no debris has entered the duct openings, then turn on the range hood.
4. Place all supplied parts and required hardware on a flat, stable surface and verify the existence of all supplied parts.
5. Carefully remove the white/blue plastic protective coat from the chimney covers and range hood if any.

Preparations:

NOTE: To avoid damage to your hood, prevent debris from entering the duct opening.

1. Determine and mark the center line on the ceiling where the range hood will be installed. Make sure there is proper clearance within the ceiling or wall for exhaust duct.
2. Due to the weight and size of this unit, please make sure that the support system or framework being used is stable and secure in the ceiling.
3. Put a thick, protective covering over counter top, cook top or range to protect from damage or dirt. Remove any hazardous objects around the area when installing.
4. Mark the locations of the support mounting bracket holes, vent cutout (if used) and power supply cable cutout on the ceiling. Use drill and saber saw or keyhole saw to cut openings for power supply cable and duct.
5. Use caulking to seal exterior wall or roof openings.
6. Disconnect main electrical supply, prepare and run electrical wiring through ceiling. Leave approximately 12" of electrical cord hanging from the ceiling. Do not restore power until wiring is completed.
7. Disconnect power cord, remove the stainless steel baffle filter and grease tunnel.
8. Set aside the stainless steel baffle filters and grease tunnel until the range hood is properly installed.

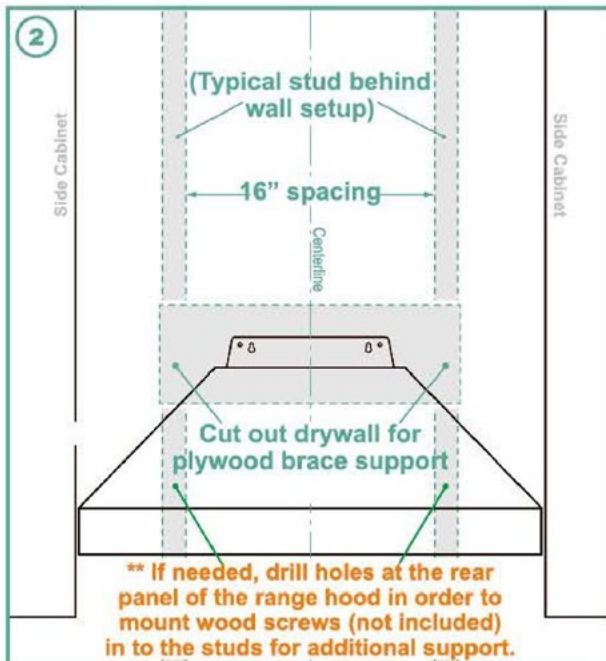
ROUGH-IN



Measure the distance between the stove top and the bottom of range hood. A distance of 24" to 30" is recommended*.

**Due to different ceiling height configurations, recommended height may not be applicable.*

(1) Identify where your vent, duct and power supply cable in relation to your range hood. And if you have cabinets flanking the area of the hood range placement, make sure the width can accommodate the installment.



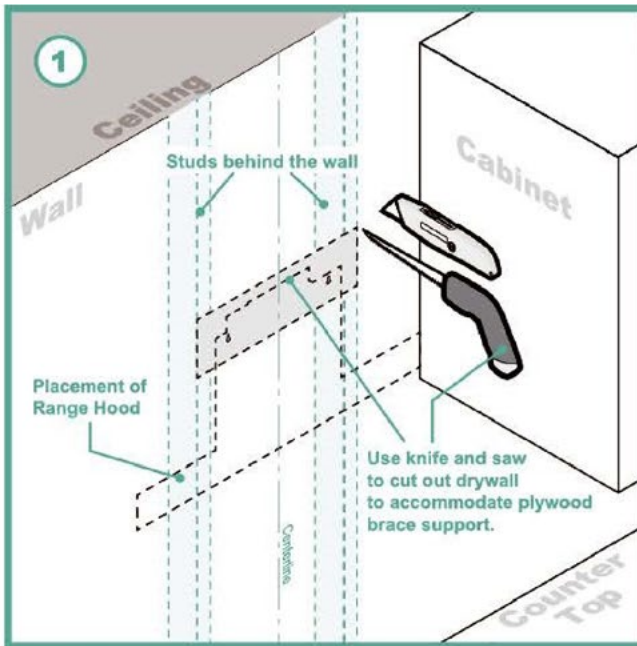
(2) Based on the placement of your hood range, you will need to locate and mark your studs in the wall (using a stud finder), in order to prepare a plywood brace to support your range hood.

****Drill holes at the rear panel of the range hood in order to mount wood screws (not included) in to the studs for additional support.**

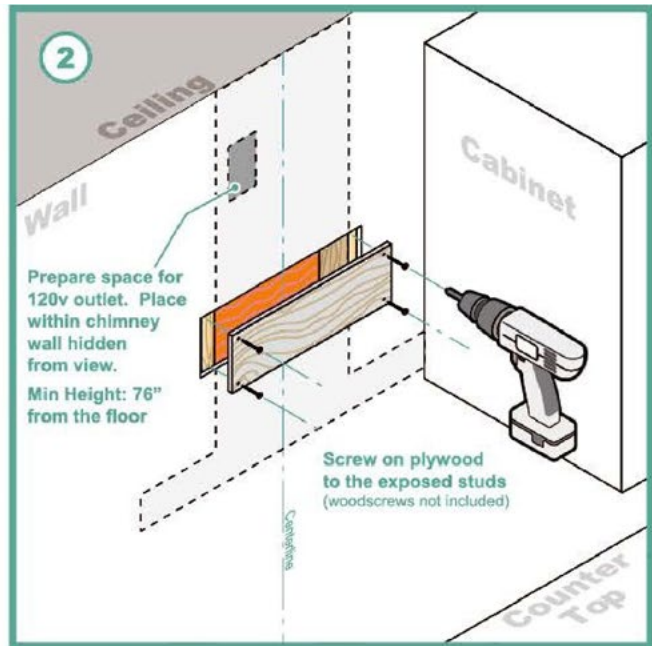
NOTE: DO NOT USE threaded drywall anchors to support the hood when mounting the hood on sheetrock. Mounting the hood on wall studs or lumbers is highly recommended.



ROUGH-IN CONTINUED

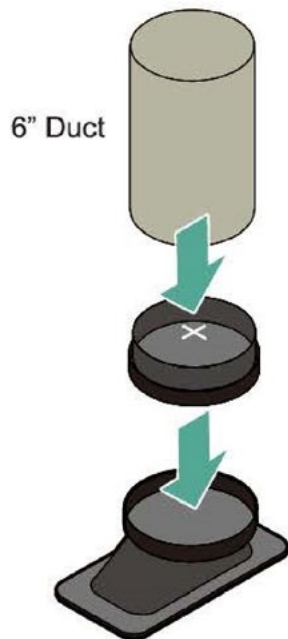


(1) Use knife and saw to cut out drywall to accommodate a plywood brace support. **The inserted plywood should be the same depth as the drywall slab it is replacing.**



(2) Screw on plywood to the exposed studs (woodscrews not included). Prepare space for 120v outlet. Place within chimney wall, hidden from view. Min Height: 76" from the floor.

INSTALLATION



Install the plastic flaps **ONLY** if your wall or roof cap does not come with backdraft dampers.

The adaptor can be used to protect the flaps.

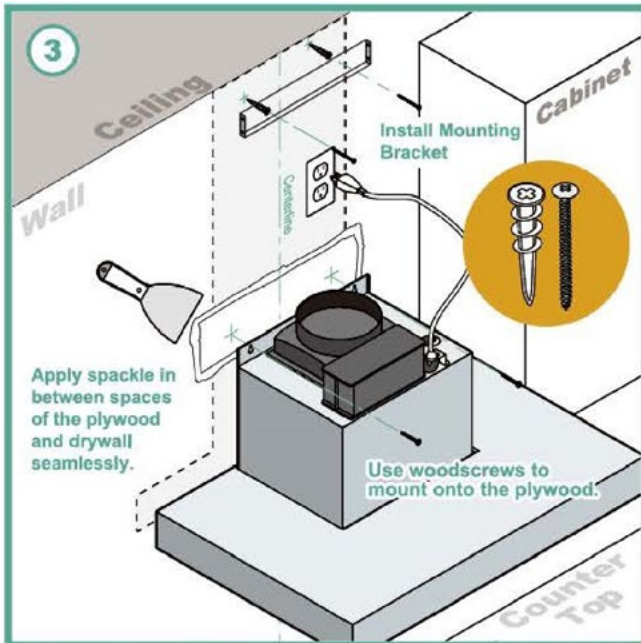
NOTE: DO NOT USE threaded drywall anchors to support the hood when mounting the hood on sheetrock. Mounting the hood on wall studs or lumbar is highly recommended.

CAUTION: Make certain the range hood is secure before releasing!

For safety purpose, pre-drilled mounting holes are provided through the back of the hood. For a more secure installation, use as many mounting holes as needed to secure from the inside of hood.



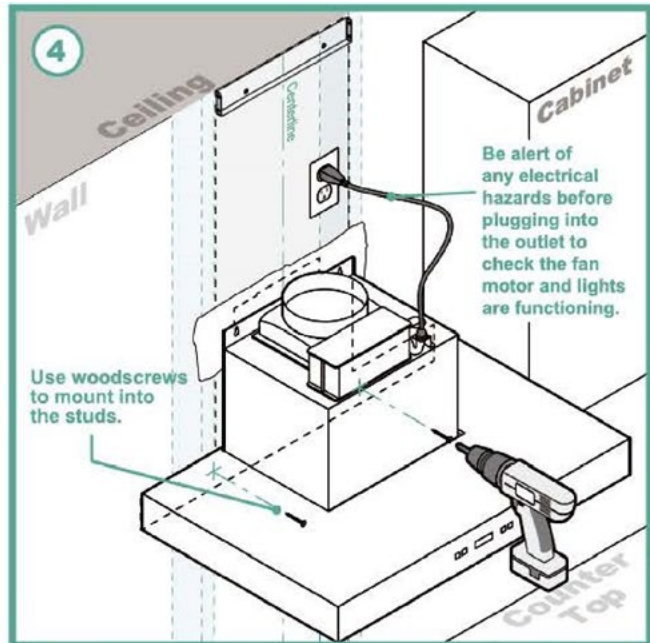
INSTALLATION



(3) Apply spackle in between spaces of the plywood and drywall seamlessly. Sand down any rough spackle to smooth out. Paint area if required.

Use the drywall plastic anchors and metal screws to install the mounting brackets to prepare for the upper chimney.

Fasten #8 2-1/2" woodscrews to mount onto the plywood based on your earlier measurements already established.



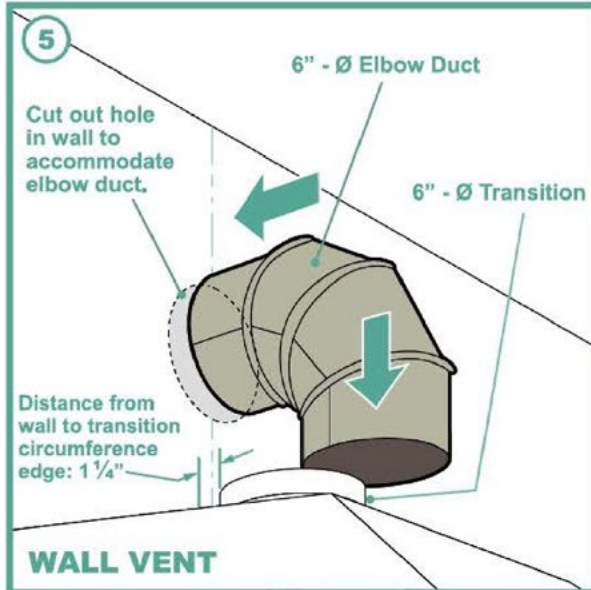
(4) If added support is needed, from the inside rear panel of the range hood, fasten #8 2-1/2" (or larger) woodscrews to mount into the studs based on your earlier measurements already established.

Connect the range hood to a designated standard outlet (please refer to the product label for the suitable voltage of this unit). Check the fan motor and lights are functioning.

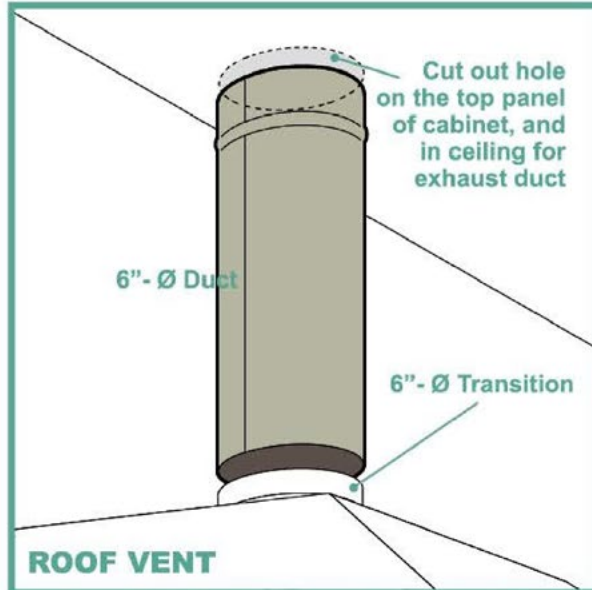
SAFETY WARNING: Risk of electrical shock. this range hood must be properly grounded. Make sure this is done by qualified electrician in accordance with all applicable national and local electrical codes. Before connecting wires, switch power off at service panel and lock service panel to prevent power from being switched on accidentally.



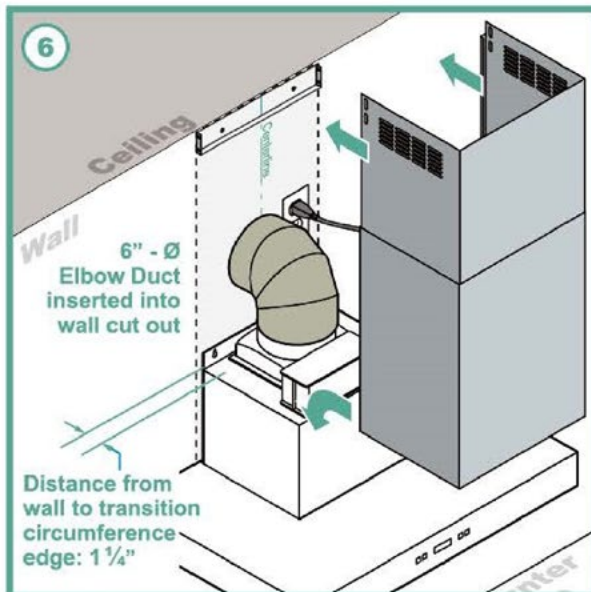
INSTALLATION CONTINUED



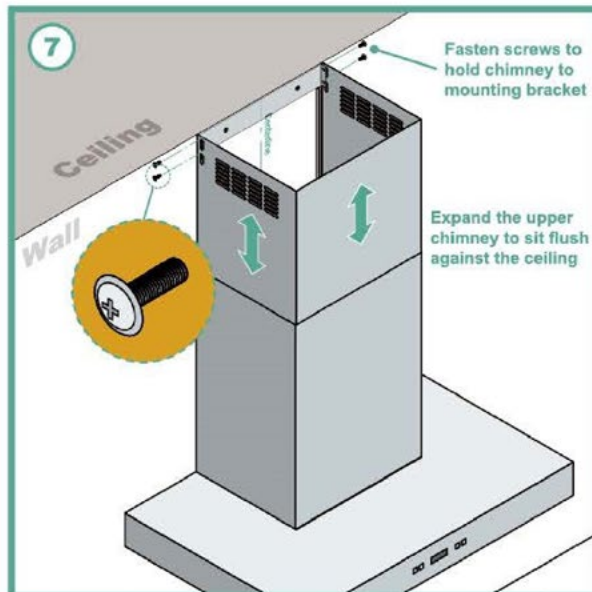
(5) Distance from wall to transition circumference edge for 6" - Ø Transition will be 1 1/4"



Use 6" round steel pipe to connect the exhaust on the hood to the duct work above. Use aluminum tape to make all joints secure and air tight.

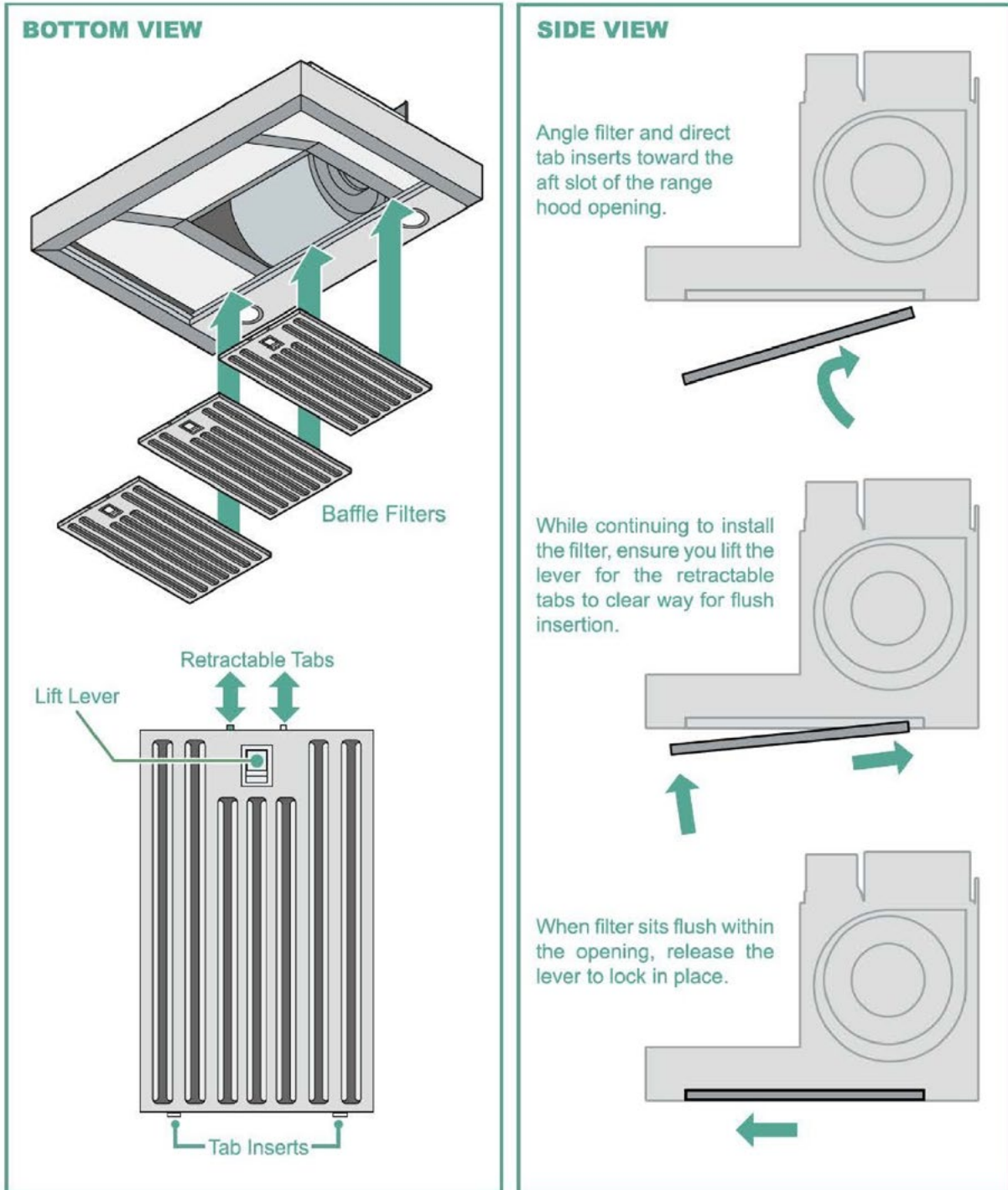


(6) Insert both chimneys onto the range hood. They should be able to slide into the gap of the top housing.



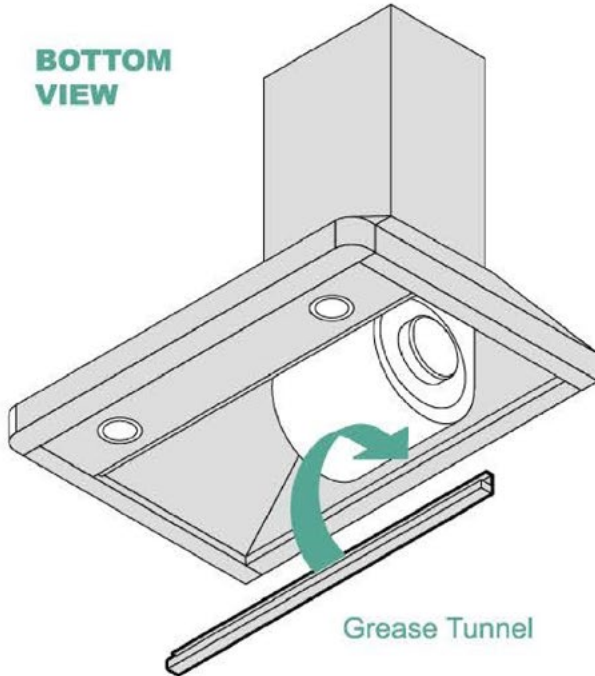
(7) **To avoid scratching the chimney, extend the upper chimney slowly and carefully** to the chimney-mounting bracket and tighten screws.

INSTALLATION (FILTERS)



INSTALLATION (GREASE TUNNEL & FILTERS)

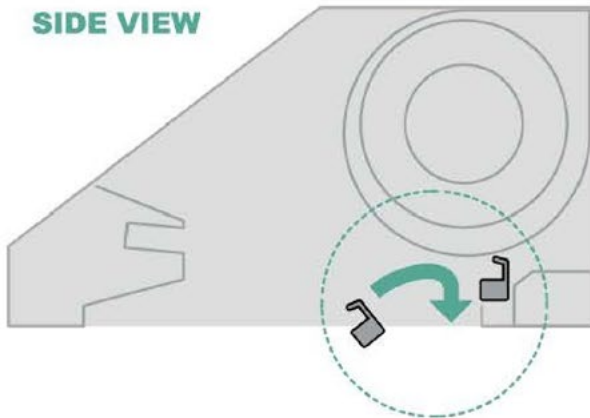
BOTTOM VIEW



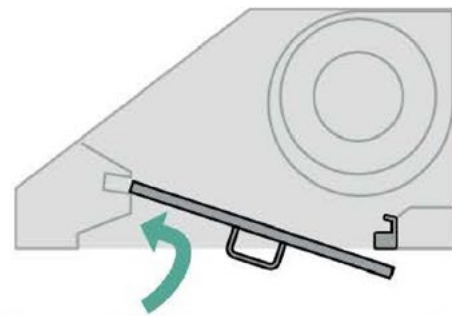
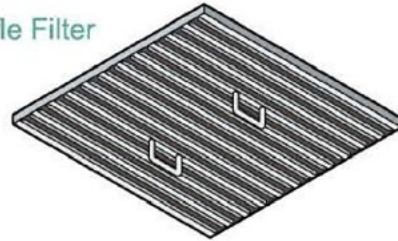
Grease Tunnel

Place Grease Tunnel into the hood opening and insert into slot holding, as shown below.

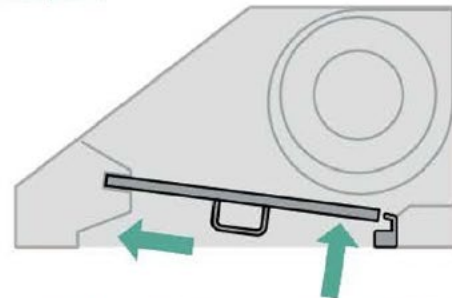
SIDE VIEW



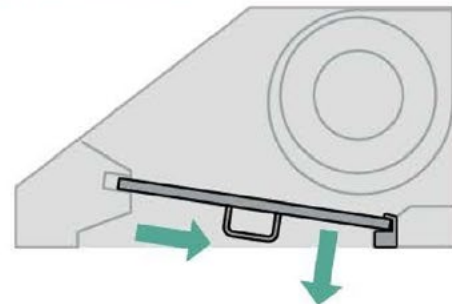
Baffle Filter



Angle filter toward front of hood opening above the front light and control panel.



Slide toward and into the recess behind the front of hood while raising the filter at the rear.



Lower filter while sliding back until it rests onto Grease Tunnel.

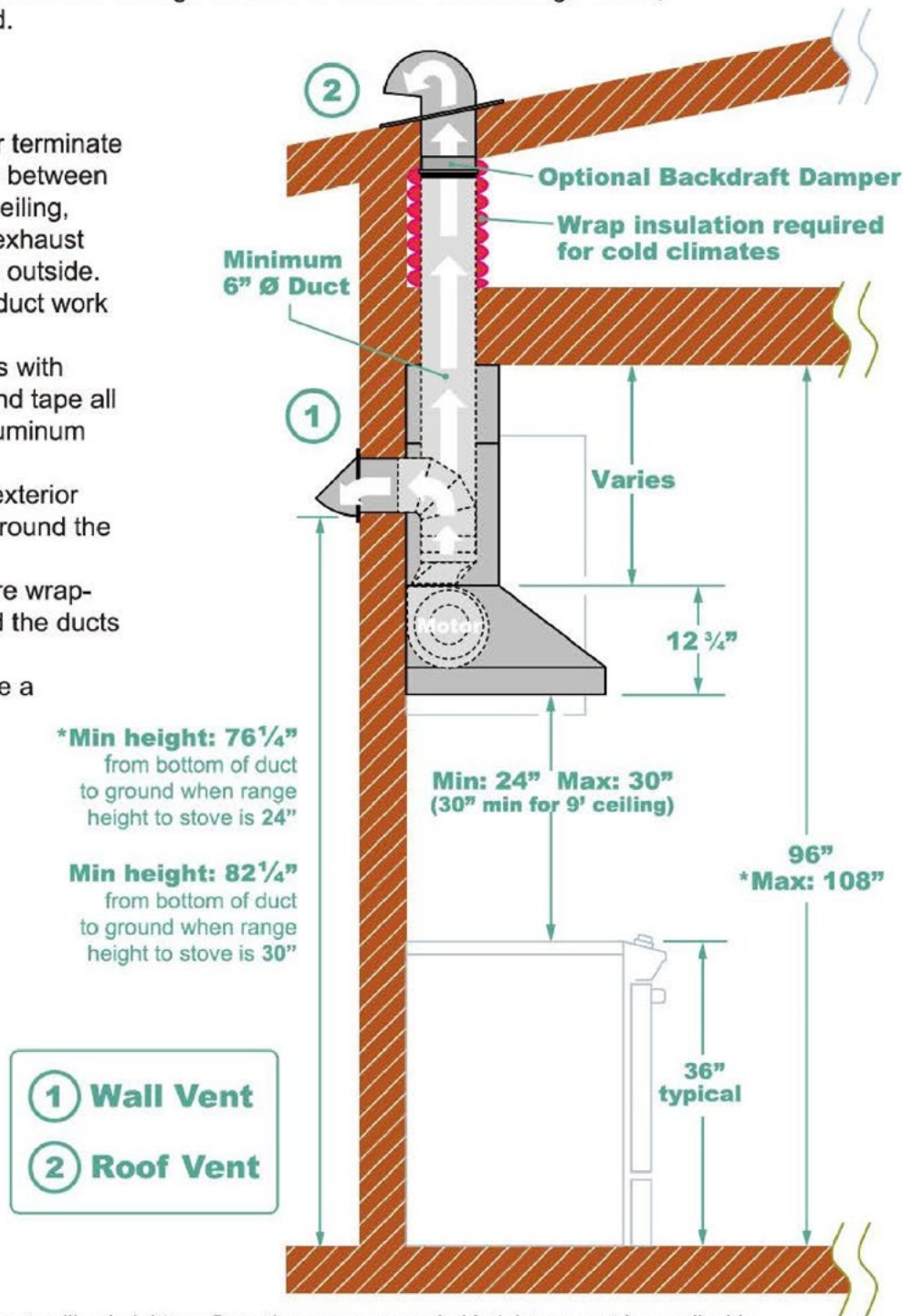


VENTING METHODS (SIDE VIEW)

- This range hood is factory set for venting through the roof or wall.
- Duct work can terminate either through the roof or wall. To vent through a wall, a 90° elbow is needed.

IMPORTANT:

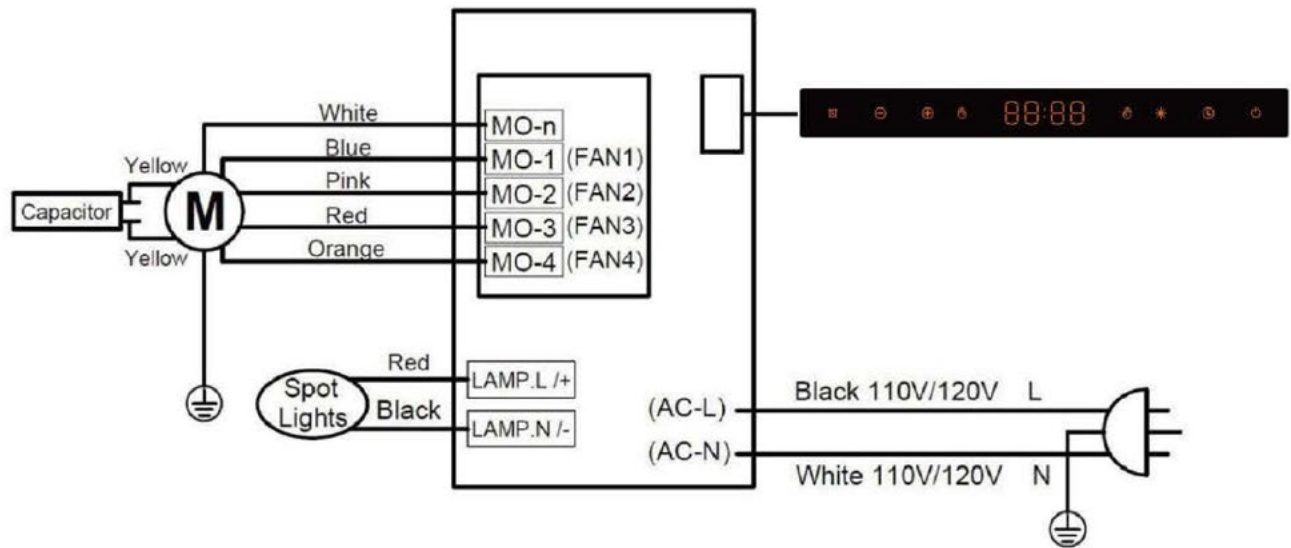
- NEVER exhaust air or terminate duct work into spaces between walls, crawl spaces, ceiling, attics or garages. All exhaust must be vented to the outside.
- Use metal/aluminum duct work only.
- Fasten all connections with sheet metal screws and tape all joints with certified Aluminum Tape.
- Use caulking to seal exterior wall or roof opening around the cap.
- Colder climates require wrapping insulation around the ducts and optional blowers.
- The system must have a Backdraft Damper.



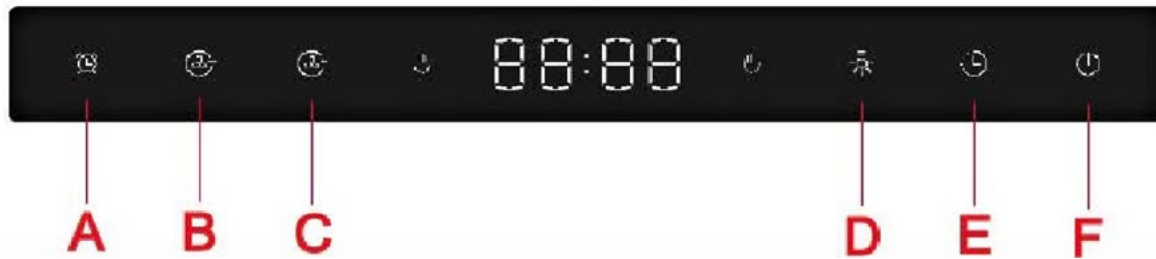
* Due to different ceiling height configurations, recommended height may not be applicable.



WIRING DIAGRAM



RANGE HOOD OPERATIONS



A. Timer - only works when the range hood fan is running, touch once, the timer has a default setting of 15 minutes; use button A or B to increase or decrease time duration depending on how much time you require.

B. Minus Button - used to decrease settings.

C. Plus Button - used to increase settings.

D. To press Light to open or close the lamp. The luminance of lighting can be adjusted from 0% to 100% as wanted by touching Light.

E. Auto Power off- press to turn off the fan automatically after 3 minutes.

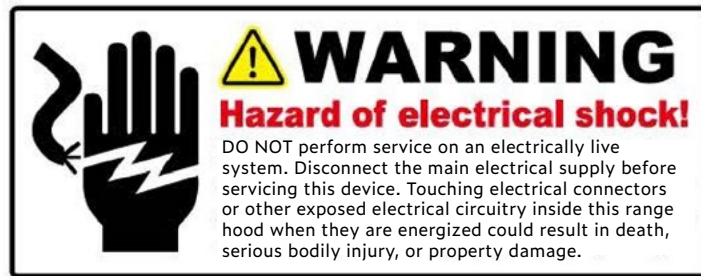
F. Power/Gesture Control-press to turn the control panel on/off; (the control panel will power off automatically after 1 minute if no further operation) Press and hold for 5 seconds will run (or turn off) the gesture control. Move your hand from left to right side will run the 1st fan speed, and again to go with 2nd fan speed, then 3rd and 4th speed, and your 5th hand moving will bring the fan into sleeping. Oppositely, move your hand from right to left will decrease the fan speed.

Remote Control:

Remote control sensor receives infrared (IR) signal from the Remote control. The maximum distance for IR data transmission is 3 meter (10ft.) and requires direct line of sight. The transmission distance may vary depending on temperature and remote control battery condition.



TROUBLESHOOTING



1. If the range hood or lights do not operate after installation:

- Check if the range hood has been plugged in, make sure that all power has been turned ON, fuse not blown and all electrical wiring are properly connected.
- Swap out light assembly to working ones to determine whether it is caused by defective bulbs. See *replacing the light bulbs page*.

2. The range hood vibrates when the blower is on:

- The range hood might not have been secured properly on to the ceiling or wall.

3. The blower or fan seems weak:

- Duct is too small. Range hood WILL NOT function efficiently with insufficient duct size. For example: Connecting this hood to 4", or 5" duct will reduce the suction and create extra noise and vibrations. Check if duct is clogged or if damper unit is not installed correctly or opening properly. A tight mesh on a side wall cap unit might also cause restriction to the air flow.

4. The lights work but the blower is not spinning at all, is stuck or is rattling.

- The blower might be jammed or scraping the bottom due to shipping damage. Please contact us immediately.

5. The hood is not venting out properly:

- Make sure the distance between the stove top and the bottom of the hood is within* 24" and 30" in distance. *Due to different ceiling height configurations, recommended height may not be applicable.
- Reduce the number of elbows and length of duct work. Check if all joints are properly connected, sealed, and taped.
- Make sure the power is on high speed for heavy cooking.

NOTE: For all other inquiries, please contact VEZENI Range Hoods.



USE AND CARE INFORMATION

Operations

- Read and understand all instructions and warnings in this manual before operating the appliance. Save these instructions for future reference.
- Always leave safety grills and filters in place. Without these components, operating blowers could catch on to hair, fingers and loose clothing.
- NEVER dispose cigarette ashes, ignitable substances, or any foreign objects into blowers.
- NEVER leave cooking unattended. When frying, oil in the pan can easily overheat and catch fire. The risk of self combustion is higher when the oil has been used several times.
- NEVER cook on "open" flames under the range hood. Check deep-fryers during use: Superheated oil may be flammable.

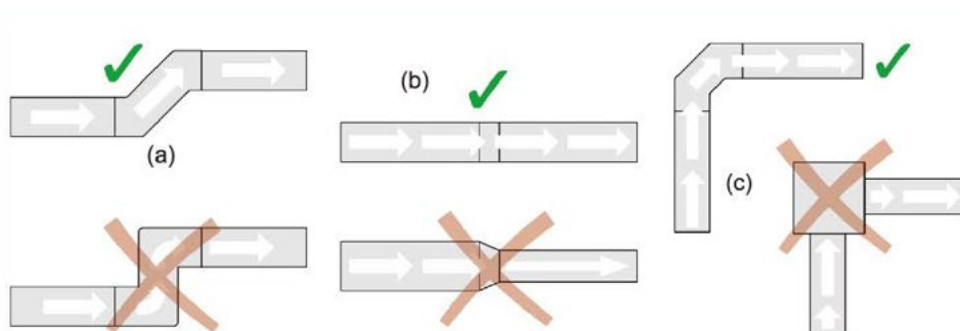
Cleaning

- The saturation of greasy residue in the blower and filters may cause increased inflammability. Keep unit clean and free of grease and residue build-up at all times to prevent possible fires.
- Filters must be cleaned periodically and free from accumulation of cooking residue. Old and worn filters must be replaced immediately.
- DO NOT operate blowers when filters are removed. Never disassemble parts to clean without proper instructions. Disassembly is recommended to be performed by qualified personnel only. Read and understand all instructions and warnings in this manual before proceeding.

a. Avoid the use of sharp elbows. Use 45 degrees instead, if possible.

b. DO NOT use REDUCERS. Keep the size of the duct the same, as per the manual. A reducer will reduce the CFM of the hood and increase the noise.

c. DO NOT use plenum boxes. Boxes create turbulence and make the hood inefficient. Use a smooth elbow to guide the air outdoors.



MAINTENANCE

SAFETY WARNING: Never put your hand into area housing the fan while the fan is operating! For optimal operation, clean range hood and all baffle/spacer/filter/grease tunnel/oil container regularly. Regular care will help preserve the appearance of the range hood.

Cleaning Exterior surfaces:

- Clean periodically with hot soapy water and clean cotton cloth. Do not use corrosive or abrasive detergent (e.g. Comet Power Scrub®, EZ-Off® oven cleaner), or steel wool/scoring pads, which will scratch and damage the stainless steel surface. For heavier oil use liquid degrease such as "Formula 4098" or "Fantastic®" brand cleaner.
- If the hood looks splotchy (stainless steel hood), use a stainless steel cleaner to clean the surface of the hood. Avoid getting cleaning solution onto or into the control panel. Follow directions of the stainless steel cleaner. **CAUTION: Do not leave on too long as this may cause damage to the hood finish.** Use a soft towel to wipe off the cleaning solution, gently rub off any stubborn spots. Use a dry soft towel to dry the hood.
- After cleaning, you may use non abrasive stainless steel polish such as 3M® or ZEP®, to polish and buff out the stainless luster and grain. Always scrub lightly, with clean cotton cloth, and with the grain.
- DO NOT allow deposits to accumulate or remain on the hood.
- DO NOT use ordinary steel wool or steel brushes. Small bits of steel may adhere to the surface and cause rusting.
- DO NOT allow salt solutions, disinfectants, bleaches, or cleaning compounds to remain in contact with stainless steel for extended periods. Many of these compounds contain chemicals, which may be harmful. Rinse with water after exposure and wipe dry with a clean cloth.

Cleaning Aluminum Grease Filter / Stainless Steel Filterless Grill:

IMPORTANT: Drain oil from oil containers before oil and residue overflow!

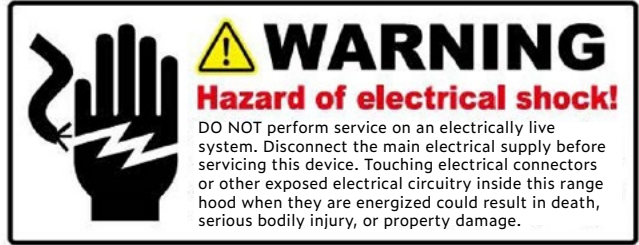
- The metal filters fitted by the factory are intended to filter out residue and grease from cooking. It need not be replaced on a regular basis but are required to be kept clean.
- Filters should be cleaned after every 30 hours of use.
- Remove and clean by hand. Spray "Formula 409" or equivalent degreasing detergent and leave to soak if heavily soiled.
- Dry filters and re-install before using hood.

Replacing Filters:

- Should filters wear out due to age and prolonged use, please contact VEZENI Range Hoods to order replacement filters.
- Note: Also replace damaged filter that has punctured or broken mesh, bent or broken frame.



BULB REPLACEMENT



Replacing LED 3W 120V Light Fixture:

1. Make sure the range hood is unplugged or turn OFF breaker and the lights are cool to touch.
2. Place a flat-head screwdriver between light housing and hood body.
3. Gently pry up the light housing and search for the metal clip.
4. Apply force to the metal clip and pull out the light fixture.
5. Disconnect the power cable and discard the old light fixture.
6. Reverse the steps to install a new LED light fixture.
7. Turn ON breaker and range hood to test for operation.



WARRANTY AND SERVICE

Warranty Period

1. Customers are entitled to replacement or free repair service in case of quality defects) found in the product within 15 days upon receipt of the product.
2. Customers are entitled to free repair service from VEZENI for any product proven defective in material or workmanship that results in product failure during normal consumer usage and conditions within the valid warranty period, which is 12 months counting from the date of selling. However, warranty period varies by product component and country of purchase. Please contact our after-sales service team via **concierge@vezeni.com** for detailed warranty information.

Warranty Exclusions

1. Products subjected to unauthorized repair, misuse, collision, neglect, mishandling, soaking, accident, and unauthorized alteration.
2. Products subjected to improper use or whose labels or security tags have been torn off or altered.
3. Products whose warranty has expired.
4. Products damaged due to force majeure, such as fire, flood, lightening, etc.

Warranty Claim Procedure

1. If failure or any problem occurs to your product after purchase, you can always contact VEZENI's customer service through email at **concierge@vezeni.com** or website at **WWW.VEZENI.COM**
2. VEZENI's customer service will guide you through the whole service procedure regarding any product issue or problem you have encountered.



QUALITY BEYOND MEASURE

✉ CONCIERGE@VEZENI.COM

WWW.VEZENI.COM

888.283.9364

888.2.VEZENI